

# 4" Vapour Coupler

## Action part number VAP400C

PART NUMBER  
VAP400C

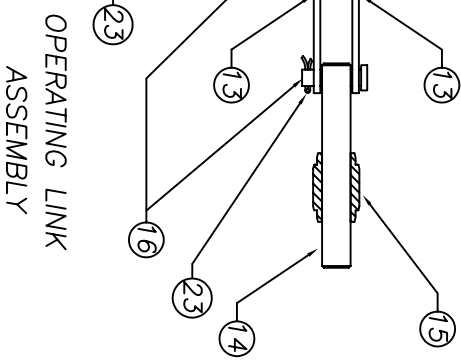
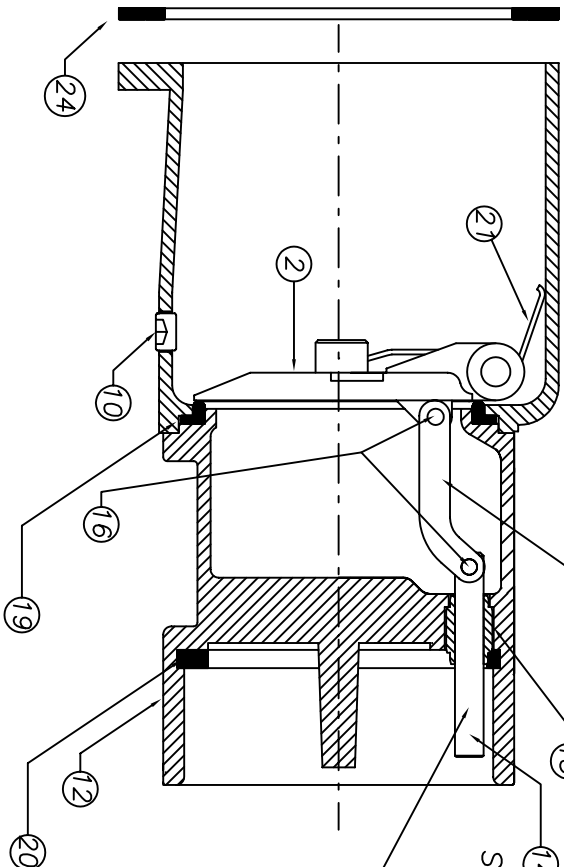
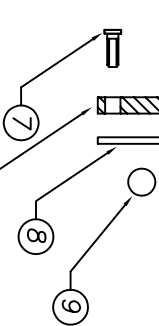
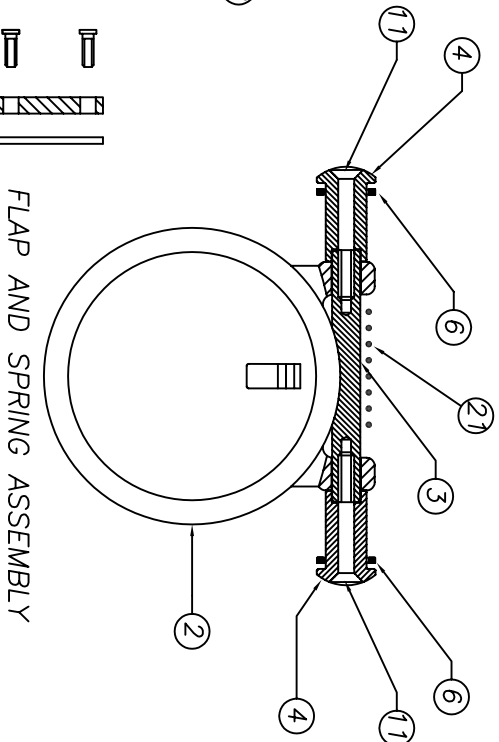
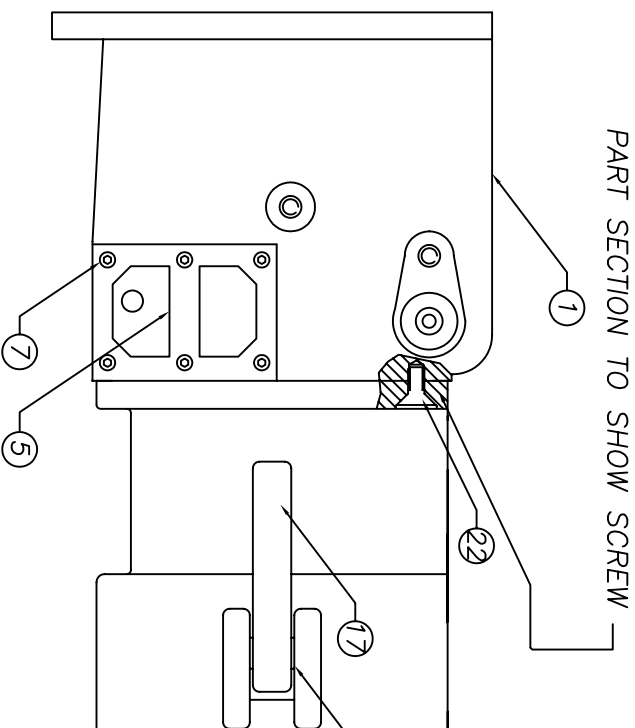
NO	COMPONENT CODE	QTY
1	VAP400BODY	1
2	VAP401SEALPLT	1
3	VAP402SPIN	1
4	VAP403BUSH	2
5	VAP404SGTGL	1
6	WAS0478	2
7	SCR0606	6
8	VAP407SGSL	1
9	VAP408FLBALL	1
10	PLU0031	1
11	SCR0058	1
12	VAP410COUPLSPOUT	1
13	VAP411OPARM	1
14	VAP412PUSSPL	1
15	VAP413SPLBUSH	1
16	VAP414PIV/PIN2	2
17	H/LEVER	2
18	PIN0198	2
19	SEA0503	1
20	VAP415SEAL	1
21	SPR0616	1
22	SCR0617	1
23	PIN0618	4
24	GAS0208	2

Spares kit  
PART No. VAP400C-SPK

NO	COMPONENT CODE	QTY
5	VAP404SGTGL	1
6	WAS0478	2
7	SCR0606	6
8	VAP407SGSL	1
9	VAP408FLBALL	1
19	SEA0503	1
20	VAP415SEAL	1
21	SPR0616	1
23	PIN0618	2
24	GAS0208	1

Coupler sub assembly  
PART No. VAP410CDUPSASY

12	VAP410COUPLSPOUT	1
13	VAP411OPARM	1
14	VAP412PUSSPL	1
15	VAP413SPLBUSH	1
16	VAP414PIV/PIN2	2
17	H/LEVER	2
18	PIN0198	2
20	VAP415SEAL	1
23	PIN0618	2



Chilmer Road, Bledlow, Nr. Princes Risborough, Bucks HP27 9PH  
 Tel: +44 (0) 1844 342666  
 Fax: +44 (0) 1844 345286  
 sales@alpeco.co.uk

Patent No 2315741

ISSUE	DATE
D	16.05.2005
C	06.06.2002
B	22.02.2001
A	11.02.2000