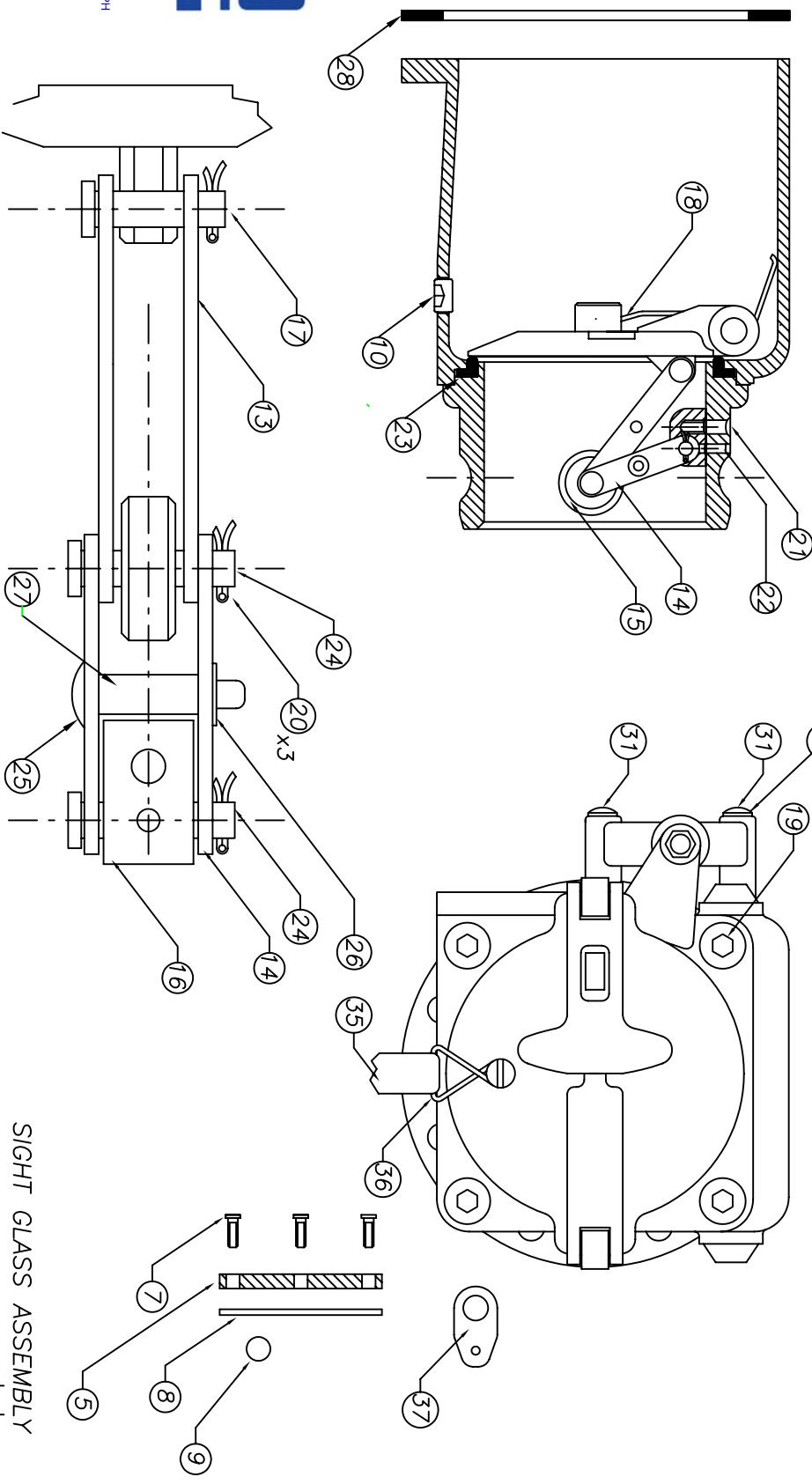


No	COMPONENT CODE	QTY
1	VAP400BODY	1
2	VAP401SEALPLT	1
3	VAP402SPIN	1
4	VAP403BUSH	2
5	VAP404SGTGL	1
6	WAS0478	2
7	SCR0606	6
8	VAP407SGSL	1
9	VAP408FLBALL	1
10	PLU0031	1
11	SCR0058	2
12	VAP421SPOUT	1
13	VAP422OPARM1	2
14	VAP423OARM2	2
15	VAP424ROL	1
16	VAP425PIVBLK	1
17	VAP414PIVPIIN2	1
18	SPR0616	1
19	SCR0617	4
20	PIIN0618	3
21	SCR0619	1
22	PIIN1673	1
23	SEA0503	1
24	VAP428PIVPIIN1	2
25	RIV0518	1
26	WAS0519	1
27	SPA0520	1
28	GAS0208	1
29	VAP400I	1
30	VAP400EC	1
31	SCR0531	2
32	WAS0057	2
33	SPA0508	1
34	SCR0495	1
35	STR0048	1
36	STRAPEND	1
37	WAS1623	1



Chilmore Road, Bedford, Nr. Princes Risborough, Bucks HP27 9PH
 Tel: +44 (0) 1844 342666
 Fax: +44 (0) 1844 345286
 sales@alpeco.co.uk

SIGHT GLASS ASSEMBLY
 Patent No 2315741

ISSUE	DATE
B	16.05.2005
A	08.06.2004