

TECHNICAL INSTRUCTIONS	7 (e)
Revision	November 2003

TANK TRUCK PUMPS

(driven by the power take off)

INSTALLATION

**BLACKMER
ZI PLAINE DES ISLES
F- 89000 AUXERRE**

Technical Assistance / RepairTél. : +33 3.86.49.86.03
.....Fax : +33 3.86.49.86.48
Spare parts / AdviceTél. : +33 3.86.49.86.40
.....+33 3.86.49.87.09
.....Fax : +33 3.86.49.87.17
e-mail : contact@blackmer-mouvex.com

**BLACKMER GmbH
Auf dem Zehnthöbel 22**

D-64572 BUTTELBORN - WORFELDEN

Tel :+49/6152/9869-0
Fax :+49/6152/9869-10
e-mail : willkommen@blackmer-mouvex.com

Your distributor :

PUMP SHAFT AND PTO SHAFT ARE PARALLEL

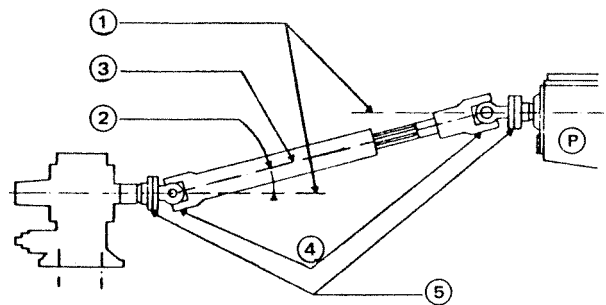
A An imperfect mounting will obviously give pulsations and vibrations to the installation and even can break the pumping unit (pump, transmission, PTO...).

All the following conditions must be strictly respected :

- 1) Pump shaft is to be parallel with the PTO shaft
- 2) The angle between both shafts and transmissions must not exceed 15°
- 3) The transmission shaft must slide properly when running
- 4) Jaws of cardan must be parallel.
- 5) Coupling flanges must show neither excentricity nor buckling of the contact face.

Figure 1

P : PTO



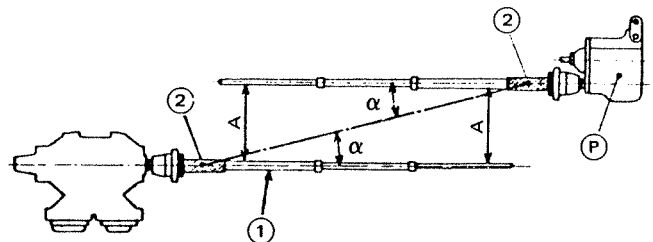
B Mounting (parallel shafts) checking by means of BLACKMER equipments.

Figure 2

P : PTO

1/ Checking equipments

2/ Yoke



A distances must be equal and the α angle less or equal to 15° .

PUMP SHAFT AND PTO SHAFT ARE NOT PARALLEL

A The recommended mounting on Figure 1 is the most simple and the cheapest. However, if impossible, it can be replaced by following one :

Figure 3

P : PTO

1/ Converging shafts

2/ Angles less or equal to 15°

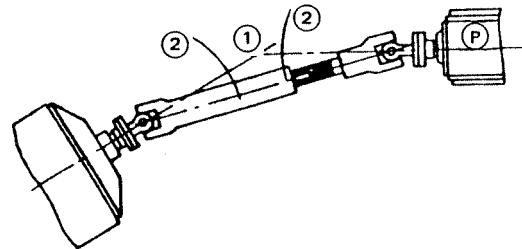


Figure 4

P : PTO

1/ Homokinetic double coupling

2/ 45° angle maxi

3/ Pump shaft and transmission in line

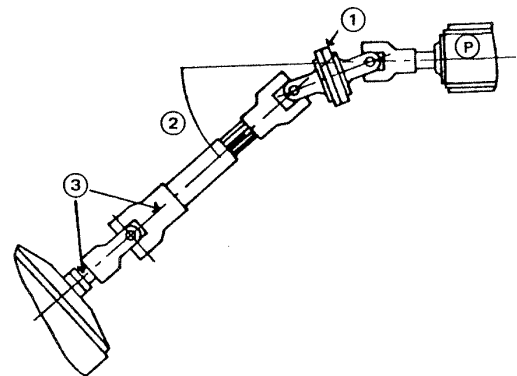


Figure 5

P : PTO

1/ Homokinetic double coupling

2/ 45° angle maxi

3/ 15° angle maxi

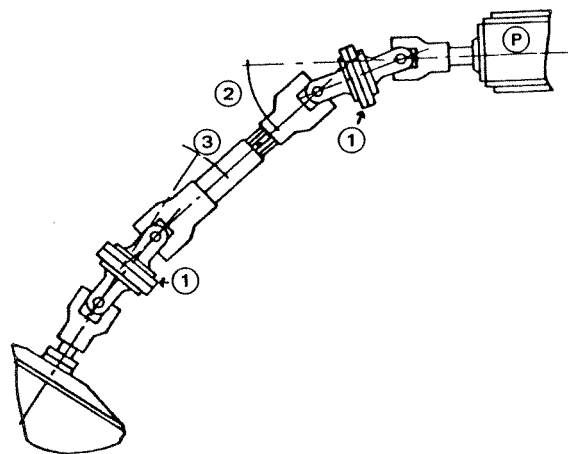
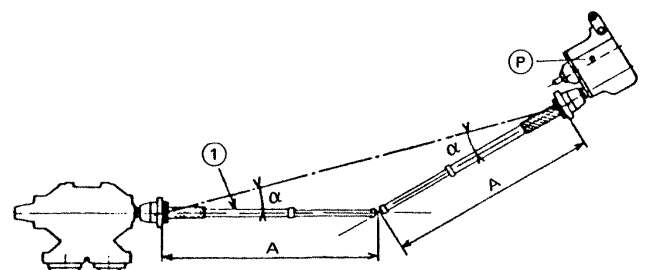


Figure 6

P : PTO

1/ Checking equipments



A distances must be equal and the α angle less or equal to 15°.