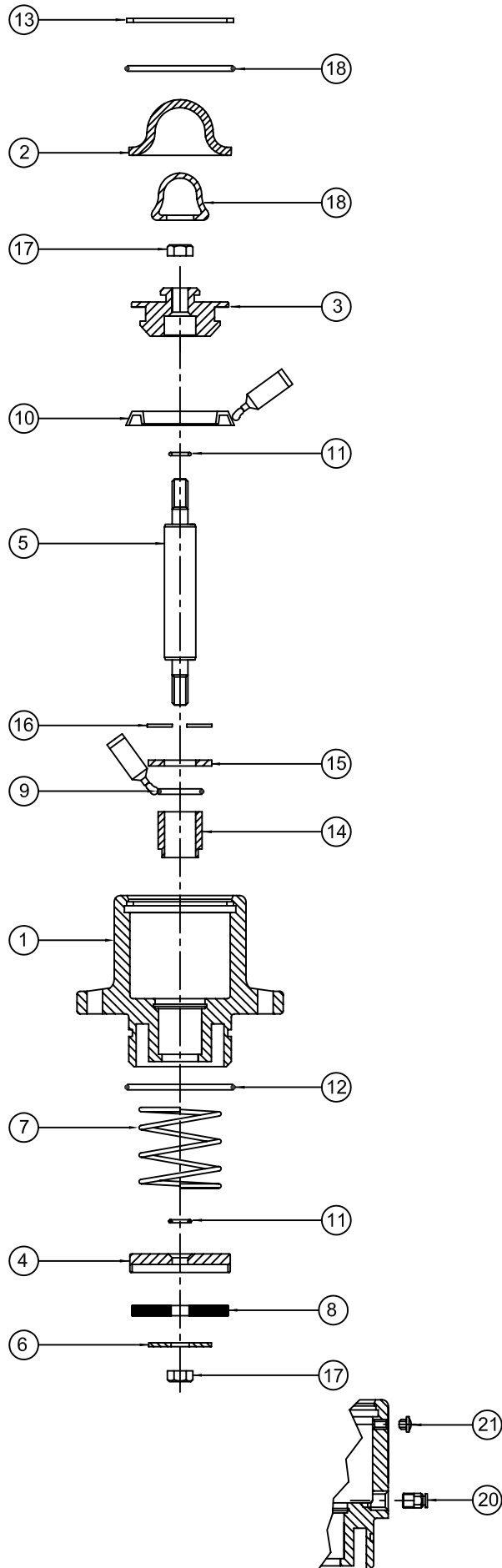
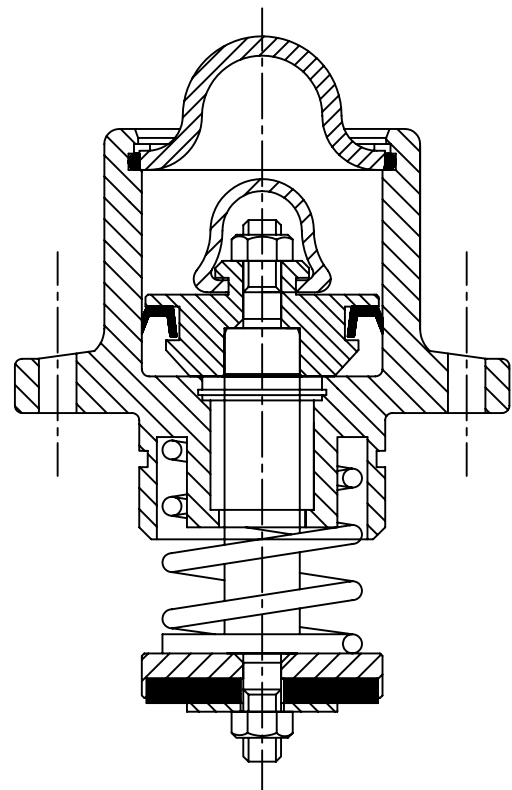


Assembly drawing for the Product Return Bonnet

FILE NAME ; PRV2BONASY



| No | Part Number | Qty |
|----|-------------|-----|
| 1 | PRV2BON | 1 |
| 2 | SG1650 | 1 |
| 3 | PRV2PIS | 1 |
| 4 | PRV2STPL | 1 |
| 5 | PRV2SPI | 1 |
| 6 | WAS1636 | 1 |
| 7 | SPR0546 | 1 |
| 8 | HV150S-VIT | 1 |
| 9 | SEA0013 | 1 |
| 10 | SEA1649 | 1 |
| 11 | SEA1638 | 2 |
| 12 | SEA0547 | 1 |
| 13 | CIR0548 | 1 |
| 14 | BUS0010 | 1 |
| 15 | WAS0024 | 1 |
| 16 | CIR0025 | 1 |
| 17 | NUT1652 | 2 |
| 18 | CAP1651 | 1 |
| 19 | SEA1637 | 1 |
| 20 | AIR0148 | 1 |
| 21 | AIR1654 | 1 |



PART SECTION VIEW
SHOWING AIR FITTINGS