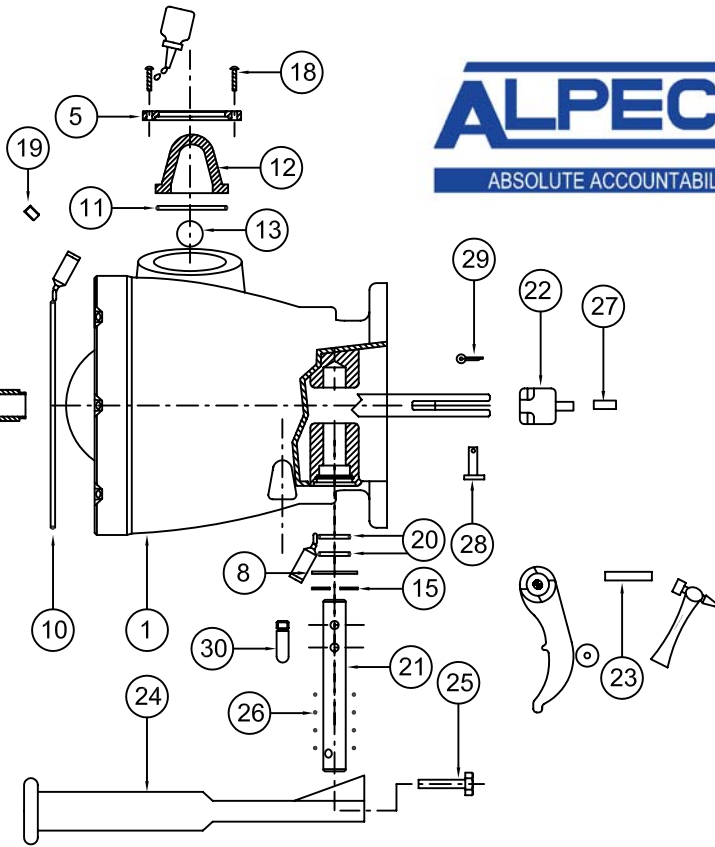
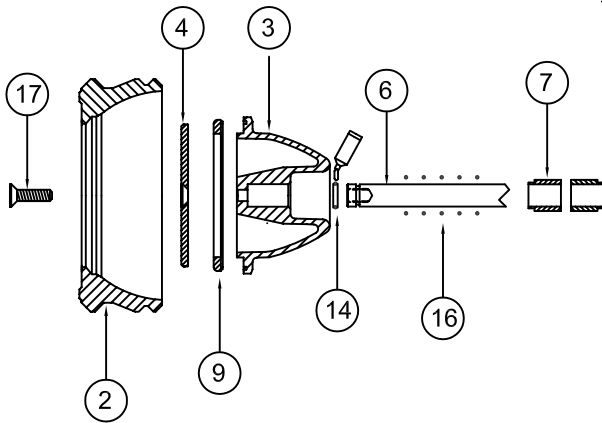
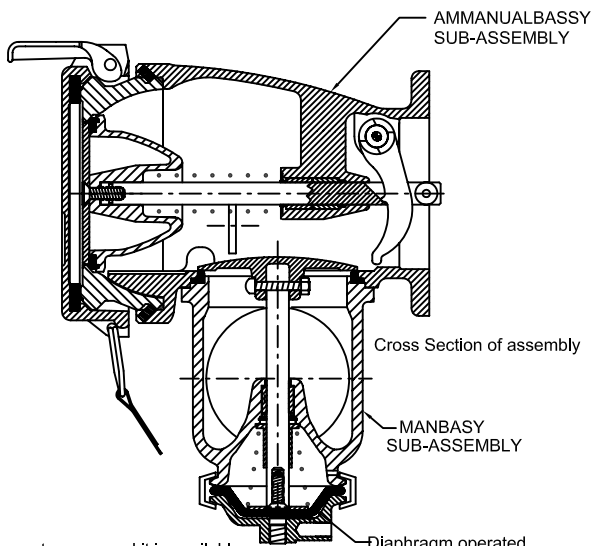


AMMANUALBASY Assembly and Spares List



Nº	COMPONENT CODE	QTY	Nº	COMPONENT CODE	QTY
1	AM402BODY	1	16	SPR0527	1
2	AM400NOSE	1	17	SCR0525	1
3	AM400CONE	1	18	SCR1662	6
4	AM400SLPL	1	19	M6X12mm SSFP	8
5	AM400SGR	1	20	SEA0013	2
6	SPI0543	1	21	SPI0537	1
7	BUS0010	2	22	CAM0540	1
8	WAS0024	1	23	PIN0538	2
9	SEA0521	1	24	APIOPH	1
10	SEA0523	1	25	SCR0555	1
11	SEA0530	1	26	SPR0556	1
12	MANSGLASS	1	27	APIOPR	1
13	AMBALL	1	28	PIN0542	1
14	SEA0529	1	29	PIN0618	1
15	CIR0025	1	30	PIN0554	1

MAN400V MANUAL Assembly and Spares List



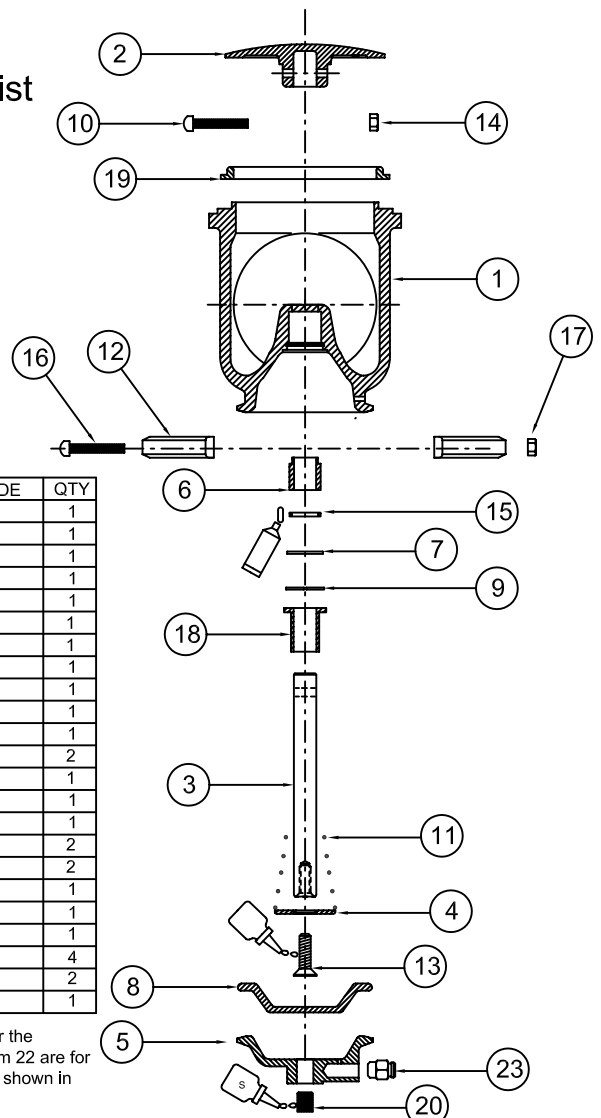
Please note a spares kit is available which includes all the seals and a replacement diaphragm.
MAN400V-SPK

KEY

- THREAD LOCK (LOCTITE 242)
- GREASE (CENTURY LITMOL №2)
- THREAD SEALANT (LOCTITE 572)
- HAMMER

Components	Material
Gaskets	Nebor
Seals	Viton
Spindles	Stainless Steel
Cast Items	LM25TF
Bushes	PTFE

MANBASY Assembly and Spares List



Nº	COMPONENT CODE	QTY
1	MAN402BODY	1
2	MAN400STPL	1
3	SPI0567	1
4	PIS0009	1
5	DIA0005COVER	1
6	BUS0010	1
7	WAS0024	1
8	DIA0012	1
9	CIR0025	1
10	SCR0534	1
11	SPR0526	1
12	VCL0016	2
13	SCR0525	1
14	NUT0059	1
15	SEA0013	1
16	SCR0026	2
17	NUT0027	2
18	MANSTCOL	1
19	SEA0503	1
20	PLUG0031	1
21	SEA0524	4
22	MANCAP	2
23	AIR1616	1

Please note main seals for the mantubes are item 21. Item 22 are for transport only and are not shown in assembly.

ALPECO LIMITED

Chinnor Road, Bledlow, Nr. Princes Risborough, Bucks HP27 9PH
Tel: +44 (0) 1844 342666 Fax: +44 (0) 1844 345286
sales@alpeco.co.uk

18.07.2005_C
16.05.2005_B
10.06.2002_A