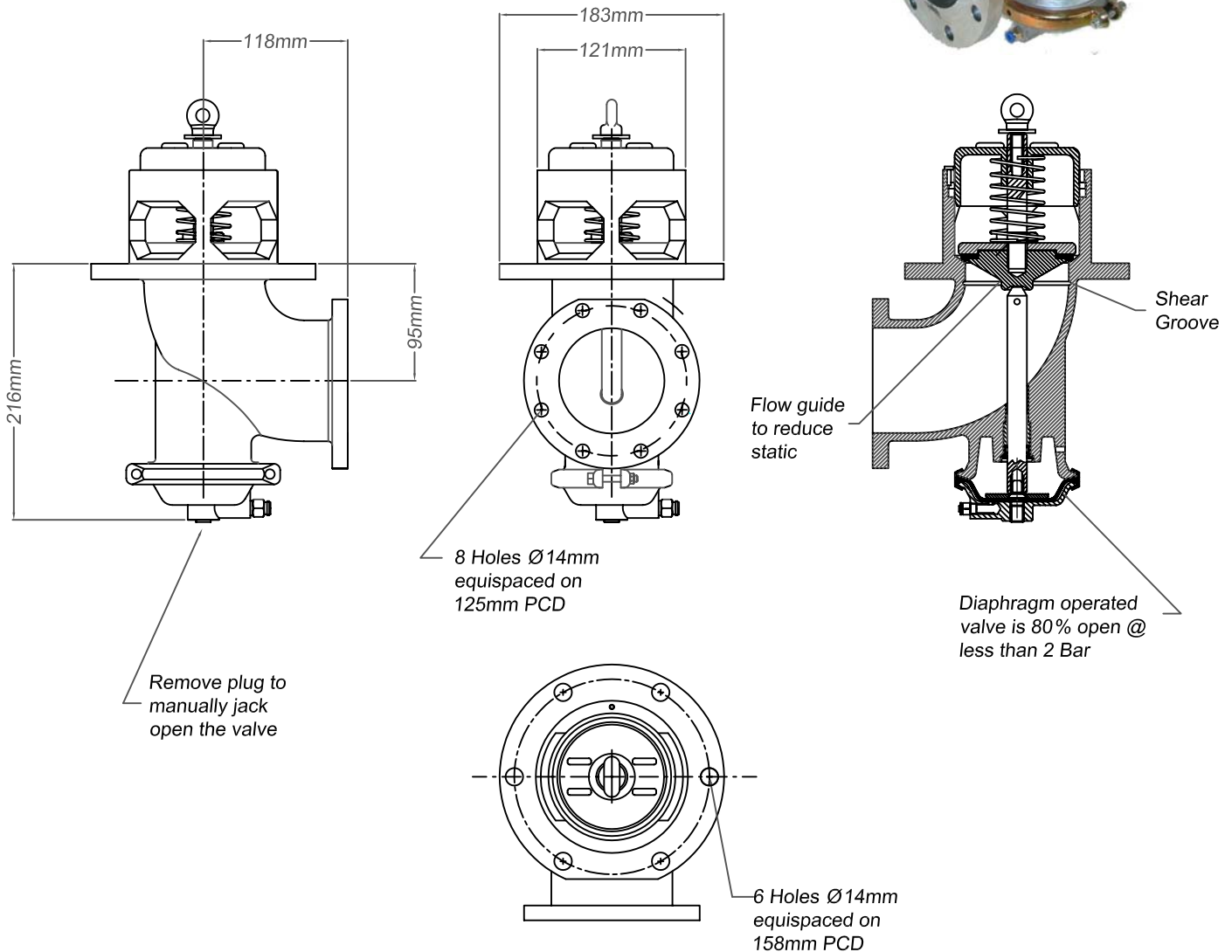


FV300-1 3" Footvalve Swept Elbow

ALPECO

ABSOLUTE ACCOUNTABILITY™

Pilot Pressure 5 Bar Max
 Working Pressure 5 Bar
 Weight 4.4 Kg
 Inlet Flange 6 holes Ø14mm on a 158mm PCD
 Outlet Flange 8 holes Ø14mm on a 125mm PCD



ALPECO LIMITED

Chinnor Road, Bledlow, Nr. Princes Risborough, Bucks HP27 9PH

Tel: +44 (0) 1844 342666 Fax: +44 (0) 1844 345286

sales@alpeco.co.uk