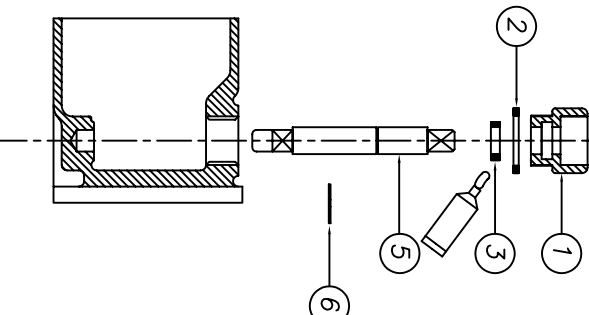


ASSEMBLY OF:

FAUCET300CAM, FAUCET300THD,  
FAUCET250CAM AND FAUCET250THD

PART NUMBER

FAUCET300CAM, FAUCET300THD, FAUCET250CAM, FAUCET250THD



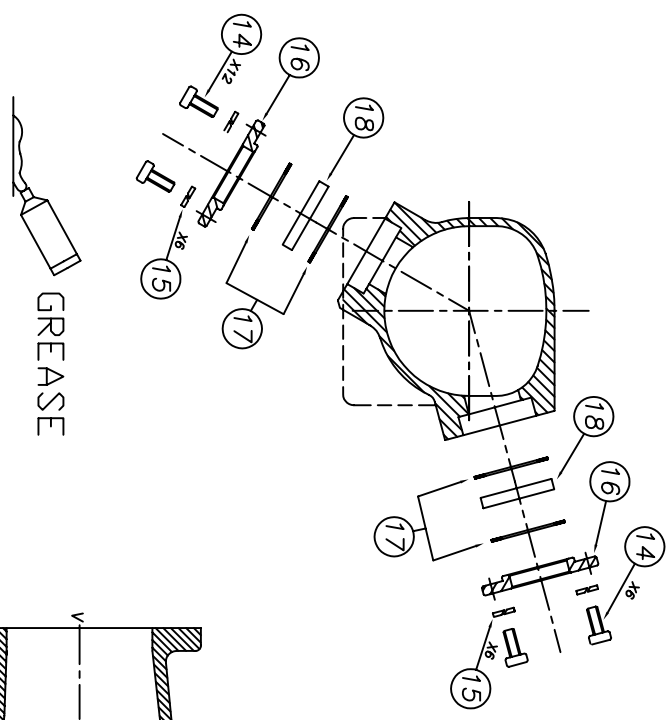
FAUCETBDASSY		
No	COMPONENT	QTY
1	FAUCETGB	1
2	WASO102	1
3	SEA0101	1
4	N/A	0
5	FAUCETPS	1
6	CIR0103	1
7	FAUCETBODY	1
8	SCR0105	1
9	SPR0097	1
10	WASO104	1
11	FAUCETPB	1
12	SPR0098	1
13	FAUCETCLACK	1
14	SCR0089	12
15	WASO088	12
16	FAUCETSGR	2
17	WASO100	4
18	FAUCETSG	2
20	STRAP300	1
21	IK400-A	1

FAUCET300THD		
No	COMPONENT	QTY
22	FAUCETSS300	1
23	FSP300THD	1
24	WASO117	5
25	SCR0116	2
26	SCR0115	2
27	WASO264	1
28	SDBC300-AC	1

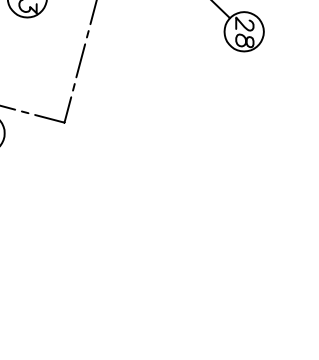
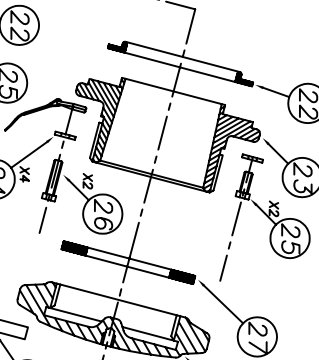
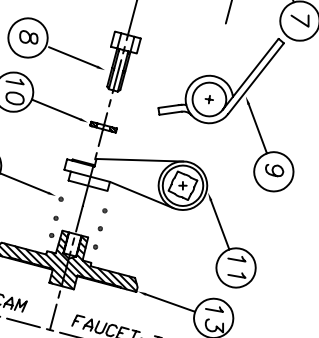
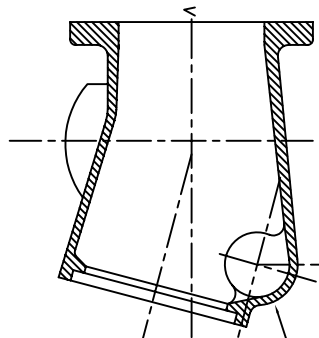
FAUCET250THD		
No	COMPONENT	QTY
22	FAUCETSS250	1
23	FSP250THD	1
24	WASO117	5
25	SCR0116	2
26	SCR0115	2
27	WASO270	1
28	SDBC250-AC	1

FAUCET300CAM		
No	COMPONENT	QTY
22	FAUCETSS300	1
29	FSP300CAM	1
24	WASO117	5
25	SCR0116	2
26	SCR0115	2
30	G300-B	1
31	DC300-AC	1
32	HR300-BR	2
33	P300	2

FAUCET250CAM		
No	COMPONENT	QTY
22	FAUCETSS250	1
29	FSP250CAM	1
24	WASO117	5
25	SCR0116	2
26	SCR0115	2
30	G250-B	1
31	DC250-AC	1
32	HR200-BR	2
33	P150	2



GREASE



Chinnor Road, Bledlow, Nr. Princes Risborough, Bucks HP27 9PH

Tel: +44 (0) 1844 342666

Fax: +44 (0) 1844 345286

sales@alpeco.co.uk

ISSUE	DATE
C	16.05.2005
B	20.02.2001
A	16.05.2000